



ŘADA - SERIES

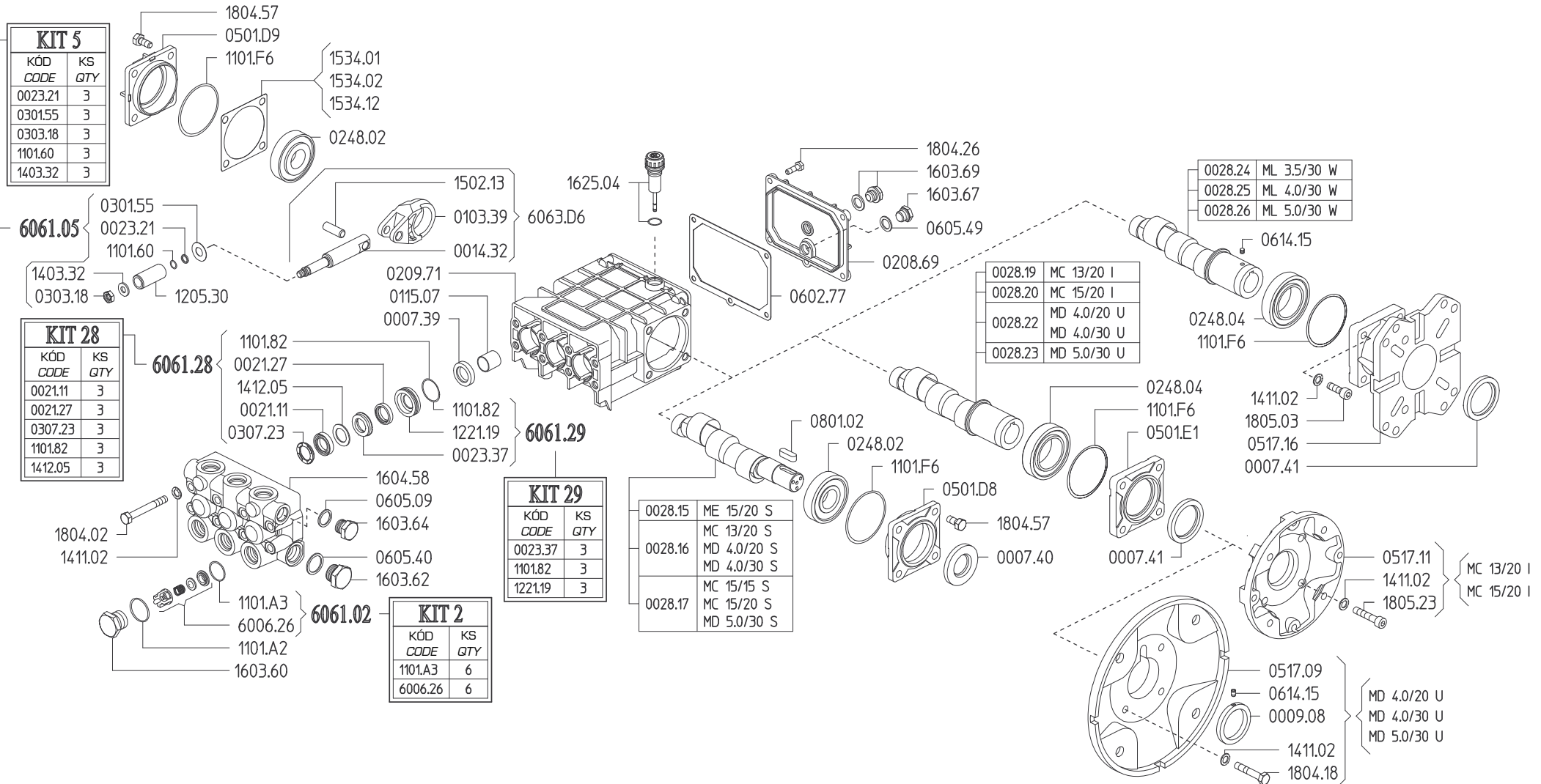
M

MC 13/20 I
 MC 13/20 S
 MC 15/15 S
 MC 15/20 I
 MC 15/20 S

MD 4.0/20 S
 MD 4.0/20 U
 MD 4.0/30 S
 MD 4.0/30 U
 MD 5.0/30 S
 MD 5.0/30 U

ME 15/20 S

ML 3.5/30 W
 ML 4.0/30 W
 ML 5.0/30 W





ŘADA - SERIES

M

MC 18/20 S

MC 20/15 S

MC 20/20 S

KIT 5	
KÓD CODE	KS QTY
0023.21	3
0301.55	3
0303.18	3
1101.60	3
1403.32	3

6061.05

0301.55
0023.21
1101.60
1403.32
0303.18
1205.31

KIT 9	
KÓD CODE	KS QTY
0021.14	3
0638.03	3
1101.82	3
1412.06	3

6061.09

1101.82
0021.14
1412.06
0638.03

1804.02
1411.02

1101.A3
6006.26
1101.A2
1603.60

6061.02

KIT 2	
KÓD CODE	KS QTY
1101.A3	6
6006.26	6

1804.57
0501.D9
1101.F6
1534.01
1534.02
1534.12
0248.02

1502.13

0103.39

0014.32

0209.71
0115.07
0007.39

6061.16

KIT 16	
KÓD CODE	KS QTY
0023.28	3
1101.82	3
1221.10	3

1625.04

6063.D6

0028.17	MC 18/20 S
0028.78	MC 20/15 S MC 20/20 S

1804.26

1603.69

1603.67

0605.49

0208.69

0602.77

0801.02

0248.02

1101.F6

0501.D8

1804.57

0007.40