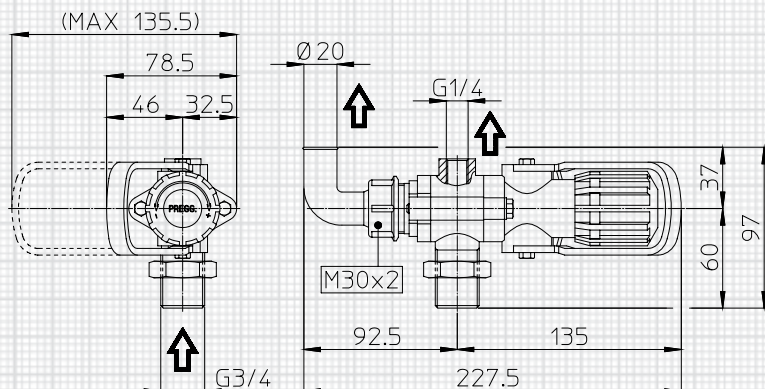


VRG 80



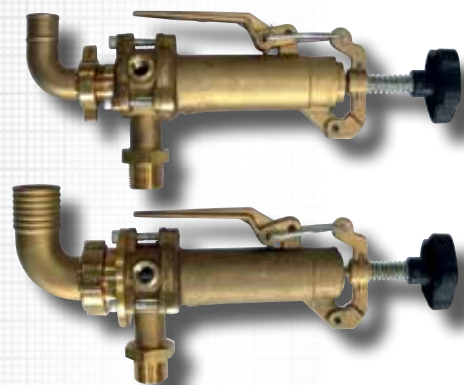
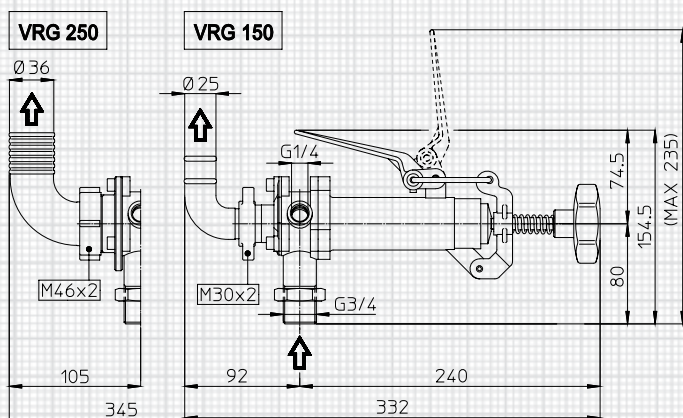
VRG 80

Průtok Flow rate		Tlak Pressure	
l/min	GPM	bar	PSI
80	21	50	725

Doporučeno pro modely čerpadel
Suggested for Pump models

GAMMA 62

VRG 150/VRG 250



VRG 150

Průtok Flow rate		Tlak Pressure	
l/min	GPM	bar	PSI
150	40	60	870

Doporučeno pro modely čerpadel
Suggested for Pump models

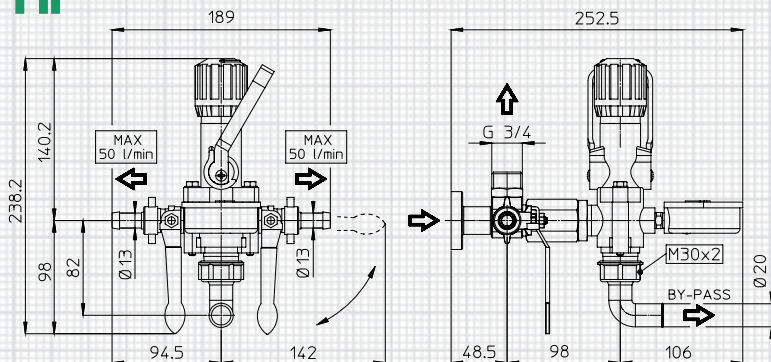
KAPPA 120 - KAPPA 125 - KAPPA 150 - OMEGA 135 - OMEGA 140 - OMEGA 170 - BETA 200
BETA 240 - GAMMA 80 - GAMMA 100 - GAMMA 122

VRG 250

250	66	60	870
-----	----	----	-----

GAMMA 162 - GAMMA 202 - GAMMA 242

HF



HF

Průtok Flow rate		Tlak Pressure		Počet výstupů No. of Outlets
l/min	GPM	bar	PSI	
120	31,7	40	580	3

Doporučeno pro modely čerpadel
Suggested for Pump models

KAPPA 53 - KAPPA 55 - KAPPA 65
KAPPA 75 - KAPPA 100 - KAPPA 125